

4

3

2

1

D

D

C

C

B

B

A

A

234-44-147
Air Knob, 2020 Marzocchi Z2 (34)

Seals: 2020 Marzocchi Z2 Air Knob, Red NBR 70

820-05-420-KIT
Topcap Assy, 2018 FLOAT LC NA2, 34, SPD-PED-ELEC, Black

234-04-735
Volume Spacer, FLOAT, 2018 32 Rhythm

TORQUE:
220±5 IN-LBF
(INTO FORK CHASSIS)

019-02-044
Fastener, Standard(Metric) : Bolt [M8 X1.25P X16mm] Socket Button Head Cap/Black, Oxide Alloy Steel / Grade 8.8

TORQUE:
50±5 IN-LBF
(INTO FORK CHASSIS)

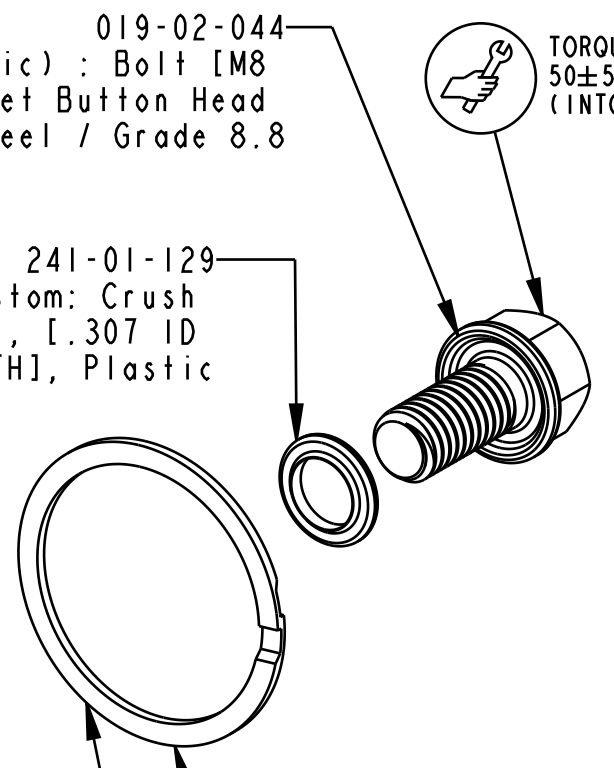
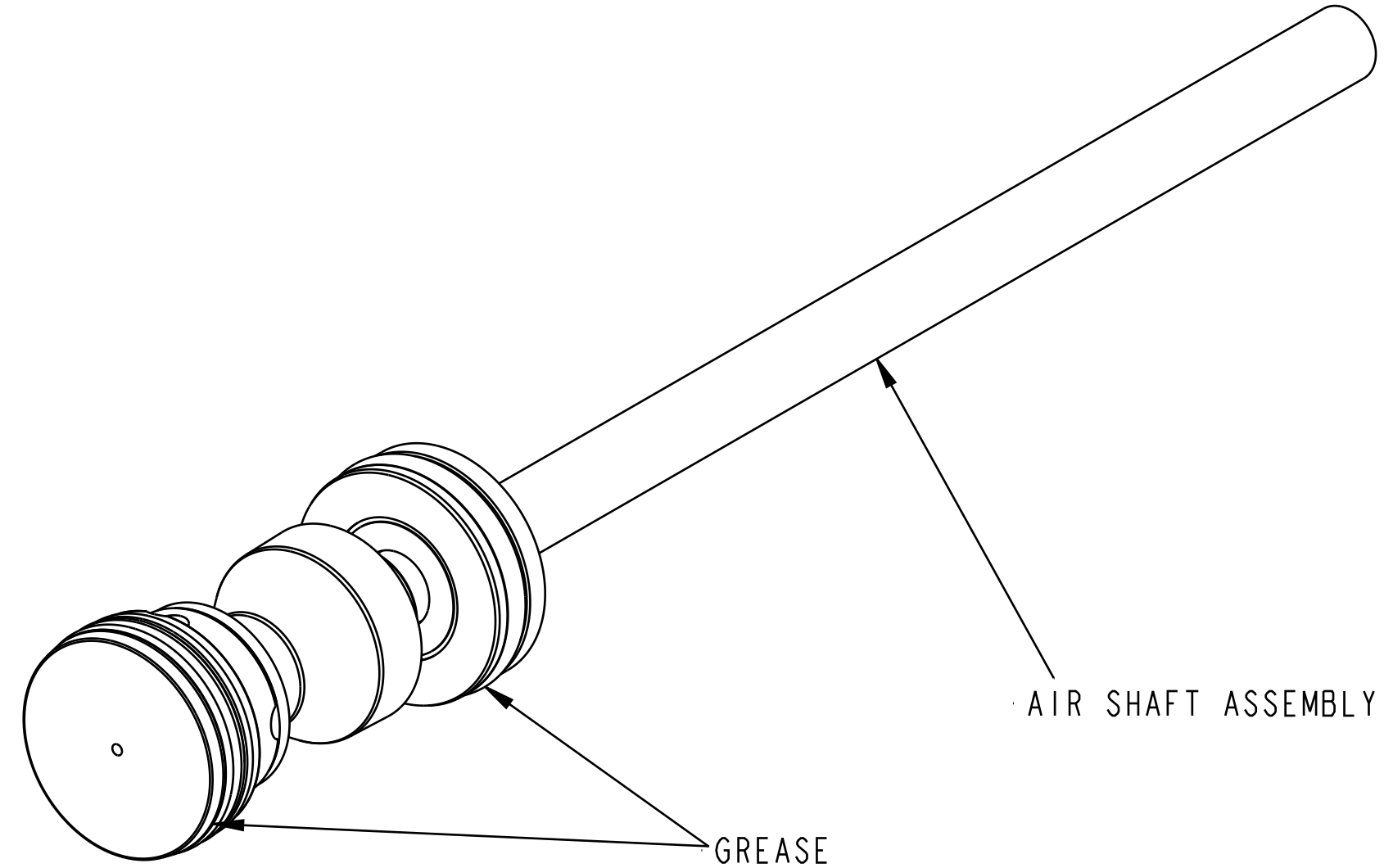
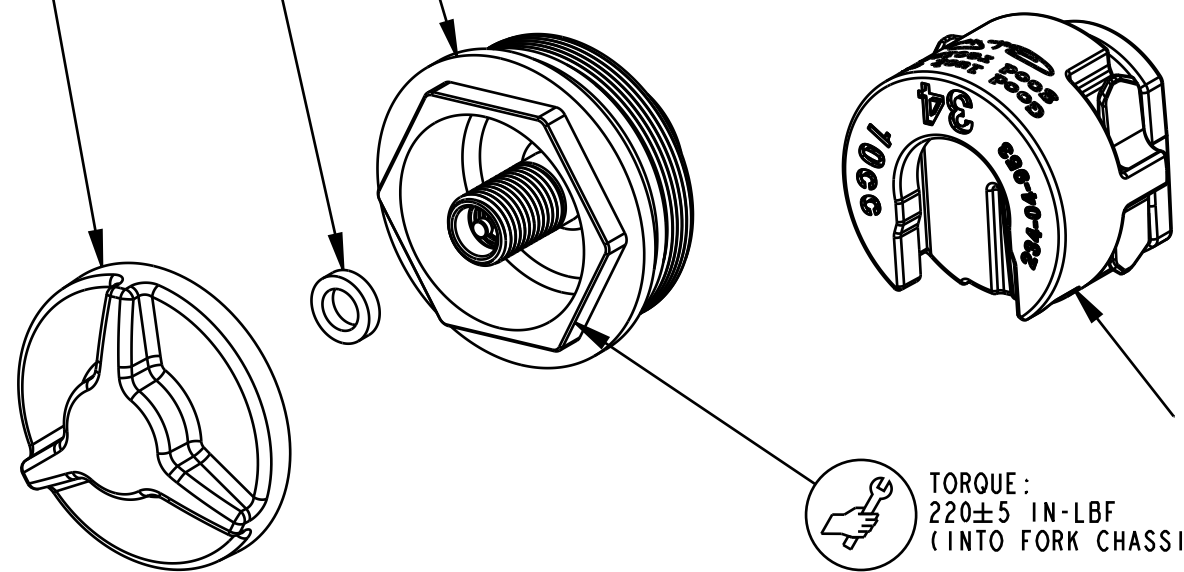
241-01-129
Fastener, Custom: Crush Washer, Direct Mount, [.307 ID X .472 OD X .039 TH], Plastic

038-00-091
Retaining Ring: Internal, Smalley EH-29-S02, 302 SS

IMPORTANT:
INSPECT 100% THAT RETAINING RING IS FULLY INSTALLED INTO GROOVE FULL 360°

AIR SHAFT ASSEMBLY

GREASE



PROPRIETARY - THIS DOCUMENT CONTAINS CONFIDENTIAL, PROPRIETARY INFORMATION THAT IS FOX PROPERTY. DO NOT DISCLOSE TO OR DUPLICATE FOR OTHERS EXCEPT AS AUTHORIZED BY FOX.

FOX FOX Factory, Inc. Ph 831-768-1100
 130 Hangar Way, Watsonville, CA 95076 USA Fax 831-768-9312

TITLE 2025 Z2 E-Opt Direct Mount Air Spring Assys

SIZE DWG. NO. C

PLOT SCALE 1, 3: 1 SHEET 1 OF 1

4

3

2

1

ProE ASSEM